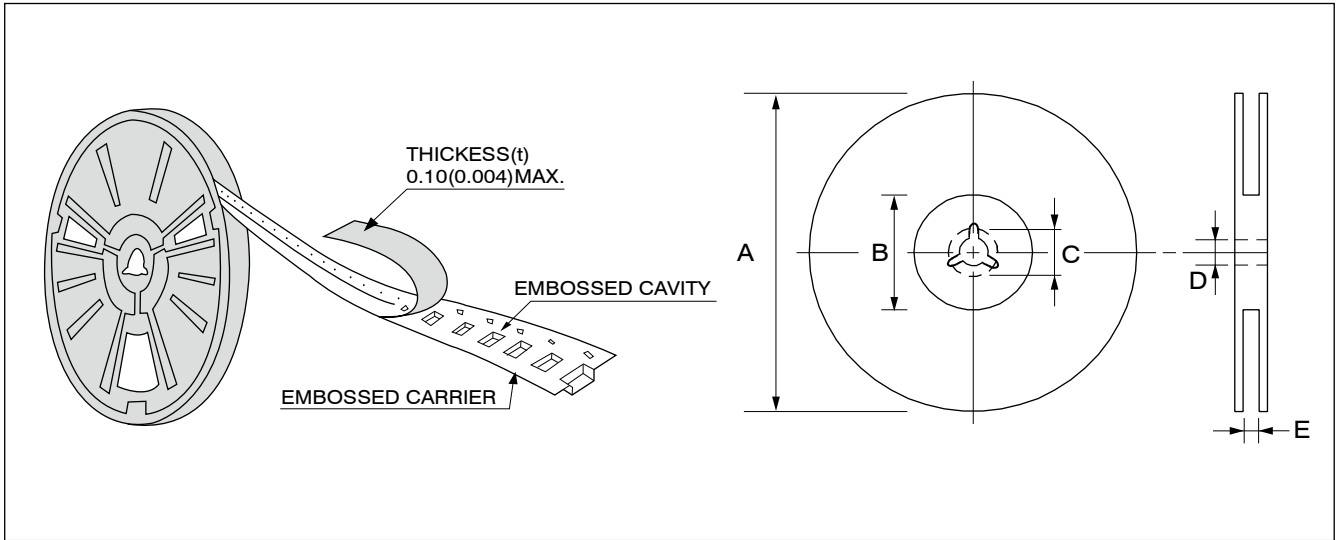




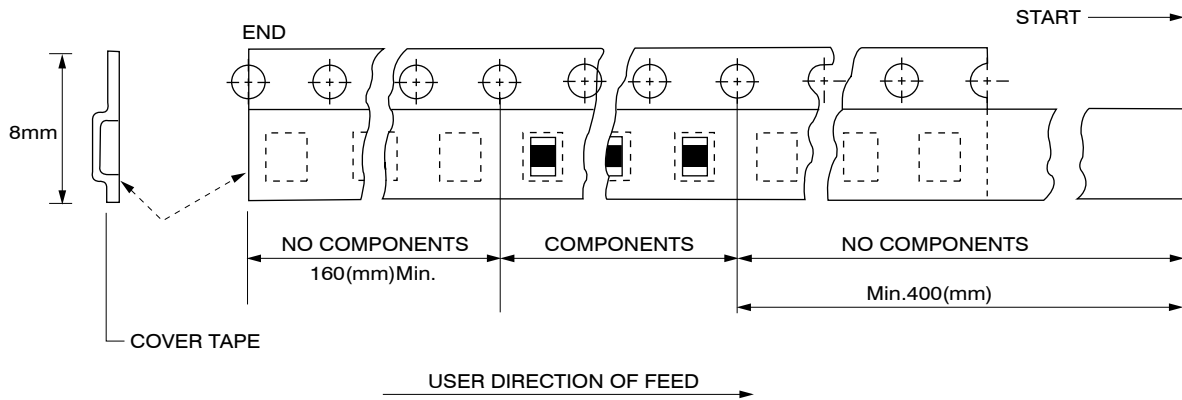
**Packaging**

■ CARRIER TAPE REELS (Multilayer Product)

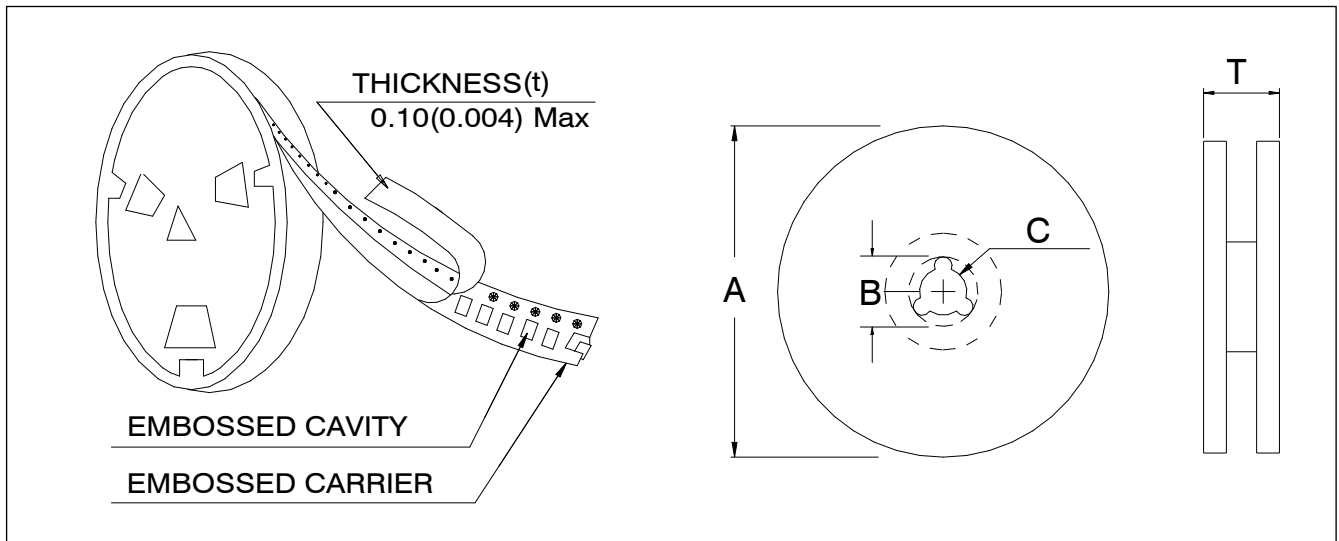


TYPE	A	B	C	D	E
8mm	178 ± 0.2	62 ± 0.2	20.2 ± 0.1	13.0 ± 0.1	9.0 ± 0.1
12mm	178 ± 0.3	60 ± 0.2	19.3 ± 0.1	13.5 ± 0.1	13.6 ± 0.1

NOTES: 1. Dimension in mm  
2. Material: Paper, Plastic



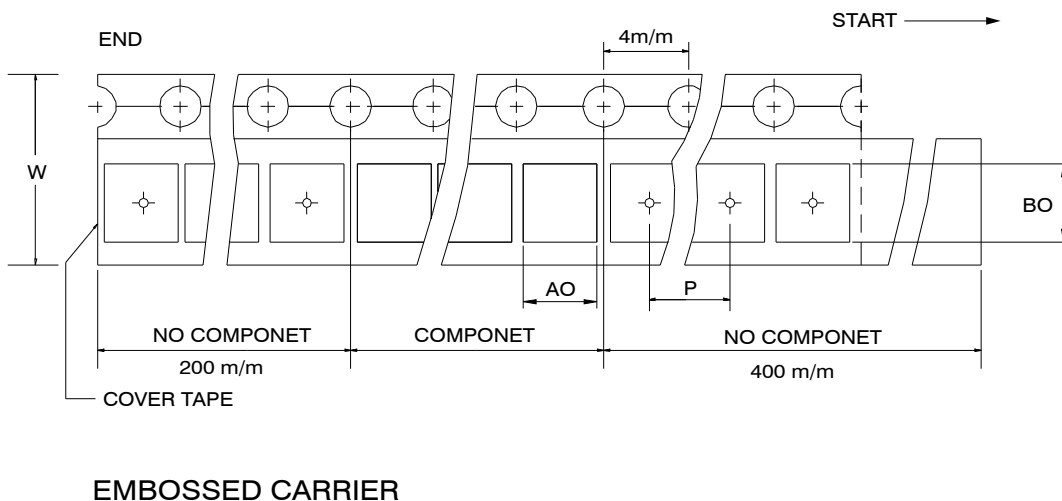
■ CARRIER TAPE REELS (Wire-wound Product)

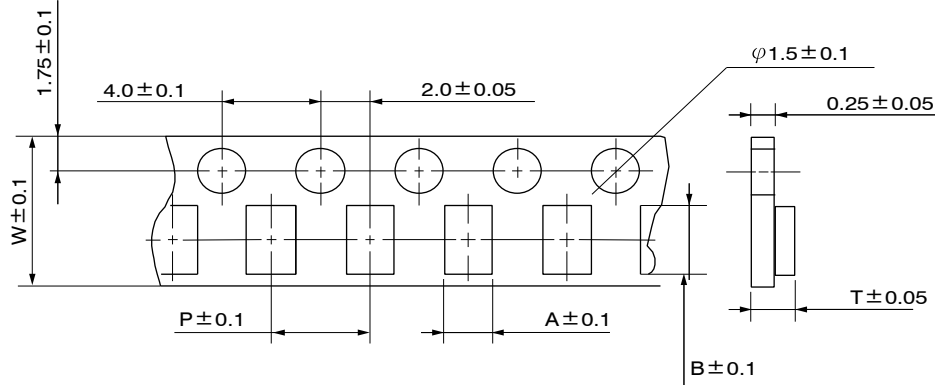


Dimension in mm

TYPE	A	B	C	T
8mm	178	55	21 ± 0.8	12.4
12mm	178	55	21 ± 0.8	16.4
12mm	330	100	21 ± 0.8	16.4
16mm	330	100	21 ± 0.8	20.4
24mm	330	100	21 ± 0.8	28.4
32mm	330	100	21 ± 0.8	36.4

■ TAPE DIMENSIN/PACKAGING





TYPE	SIZE	A (in mm)	B (in mm)	W (in mm)	P (in mm)	T (in mm)	CHIPS/REEL
GMLB	060303	0.38	0.68	8	2	*0.50	15000
	100505	0.6	1.1	8	2	*0.6	10000
	160808	1.1	1.9	8	4	1.1, *0.95 ± 0.05	4000
	201209	1.5	2.3	8	4	1.3, *0.18 ± 0.10	4000
	321611	1.9	3.5	8	4	1.5	3000
GMLI	060303	0.38	0.68	8	2	*0.50	15000
	100505	0.6	1.1	8	2	*0.60	10000
	160808	1.1	1.9	8	4	*0.95	4000
	2012	1.5	2.3	8	4	1.3	4000
	3216	1.9	3.5	8	4	1.5	3000
GMPI	1608	1.1	1.9	8	4	1.1, *0.95 ± 0.05	4000
	2012	1.5	2.3	8	4	1.3, *0.18 ± 0.10	4000
	3216	1.9	3.5	8	4	1.5	3000
HFI	0603	0.38	0.68	8	2	*0.50	15000
	1005	0.6	1.1	8	2	*0.60	10000
	1608	1.1	1.9	8	4	*0.95	4000
MMD	04AB	4.25	4.7	12	8	1.5	3000
	04BZ	4.2	4.5	12	8	2.5	3000
	05CZ	5.4	5.2	16	8	3.6	1000
	06AB	7.2	7.5	16	12	1.5	2000
	06AH	6.9	7.6	16	12	2.1	1000
	06CZ	7.2	7.5	16	12	3.2	1000
	06EZ	7.2	7.5	16	12	5.3	500
	10DZ	10.7	12	24	16	4.2	500
	10EE	10.7	12	24	16	5.8	500
	12CE	13.4	14.1	24	16	3.7	500
	12EZ	13.4	14.1	24	16	5.2	250
	12FD	13.4	14.1	24	16	6.8	250
MCI	2012	1.48	2.33	8	4	178	2000
	3216	1.90	3.50	8	4	178	2000
MCM	7060F	6.80	8.00	16	12	330	1500
MSI	7005	6.60	7.60	16	12	330	1000
	1005	7.20	9.60	24	12	330	800
	1007	7.80	9.20	24	12	330	500
	1008	7.30	9.60	24	12	330	500
HFC	1005C	0.70	1.20	8	2	178	10000
	1608C	1.25	1.80	8	4	178	3000
	2012C	1.42	2.26	8	4	178	2000
	2520C	2.23	2.73	8	4	178	2000
	3225C	2.69	3.56	8	4	178	2000

\* : For paper carrier tape

TYPE	SIZE	A (in mm)	B (in mm)	W (in mm)	P (in mm)	Reel diam (in mm)	CHIPS/REEL
MFI	252018S	2.30	2.70	8	4	178	2000
	322522S	2.80	3.50	8	4	178	2000
	252018C	2.30	2.70	8	4	178	2000
	322522C	2.80	3.50	8	4	178	2000
SMI	252018	2.30	3.60	8	4	178	2000
	322522	2.90	3.60	8	4	178	2000
	453232	3.60	5.10	12	8	178	500
SMC	322522	2.90	3.60	8	4	178	2000
	453232	3.60	5.10	12	8	178	500
SMB	403025	3.60	4.90	12	8	178	500
	853025	3.60	9.50	16	8	178	500
MSCD	0311	3.25	3.60	12	8	178	1000
	0315	3.30	3.60	12	8	178	1000
	32	3.30	3.70	12	8	178	1000
	43	4.20	4.60	12	8	330	1500
	0519	4.90	5.20	12	8	330	2500
	52	5.60	6.20	16	8	330	2500
	53	5.40	5.90	16	8	330	2000
	54	5.50	6.10	16	8	330	1000
	73	7.20	8.00	16	12	330	1000
	75	7.20	8.30	16	12	330	1000
	104	9.30	10.35	24	12	330	900
	105	9.30	10.35	24	16	330	500
	106	9.50	10.80	24	16	330	500
MSCH	2015C	1.80	2.30	8	4	178	2500
	3216C	2.05	3.60	8	4	178	2000
	3225C	2.88	3.65	8	4	178	2000
	4532C	3.85	4.80	12	8	178	500
	5750C	5.40	6.10	16	12	330	1000
	3225Q	2.88	3.65	8	4	178	2000
	4532Q	3.85	4.80	12	8	178	500

TYPE	SIZE	A (in mm)	B (in mm)	W (in mm)	P (in mm)	Reel diam (in mm)	CHIPS/REEL
MSCDRI	63	6.70	6.90	16	12	330	1000
	64	6.70	6.90	16	12	330	1000
	73	7.50	7.50	16	12	330	1000
	74	7.90	7.90	16	12	330	1000
	124	12.55	12.55	24	16	330	500
	125	12.55	12.55	24	16	330	500
	127	12.55	12.55	24	16	330	500
	63B	5.95	6.55	16	12	330	1000
	74B	7.20	8.10	16	12	330	1000
	105B	9.30	10.35	24	16	330	500
	6020B	6.20	7.10	16	12	330	1500
	6025B	6.20	7.10	16	12	330	1500
	6030B	6.20	7.10	16	12	330	1500
	6020L	6.40	6.90	16	12	330	1500
	6025L	6.40	6.90	16	12	330	1500
	6030L	6.40	6.90	16	12	330	1500
	6035L	6.40	6.90	16	12	330	1500
	2D09C	3.35	3.35	12	8	178	1000
	2D11LD	3.50	3.50	12	8	178	1000
	2D11HP	3.50	3.50	12	8	178	1000
	2D14S	3.40	3.40	12	8	178	1000
	2D18LD	3.40	3.40	12	8	178	1000
	2D18HP	3.40	3.40	12	8	178	1000
	3D14LD	4.20	4.20	12	8	330	3500
	3D14HP	4.20	4.20	12	8	330	3500
	3D16LD	4.20	4.20	12	8	330	3500
	3D16HP	4.20	4.20	12	8	330	3500
	4D18C	5.40	5.40	12	8	330	2000
	4D28C	5.45	5.45	12	8	330	2000
	3D16	4.20	4.20	12	8	330	3500
	4D18	5.40	5.40	12	8	330	2000
	4D28	5.45	5.45	12	8	330	2000
	5D18	6.40	6.40	12	8	330	2000
	5D28	6.40	6.40	12	8	330	2000
	6D28	7.40	7.40	16	12	330	1000
	6D38	7.40	7.40	16	12	330	1000
	103R	10.6	10.6	24	16	330	1000

TYPE	SIZE	A (in mm)	B (in mm)	W (in mm)	P (in mm)	Reel diam (in mm)	CHIPS/REEL	
MSCDRI	104R	10.6	10.6	24	16	330	900	
	105R	10.5	10.7	24	16	330	700	
	6025F	6.70	6.90	16	8	330	2000	
	63F	6.30	6.60	16	8	330	2000	
	7028F	7.50	7.50	16	12	330	1000	
	73F	7.50	7.50	16	12	330	1000	
	75F	7.50	7.50	16	12	330	1000	
	105F	10.6	10.6	24	16	330	500	
	125F	13.0	13.0	24	16	330	500	
	126F	13.0	13.0	24	16	330	500	
	127F	13.0	13.0	24	16	330	500	
	5020F	5.40	5.40	12	8	330	3500	
	5030F	5.40	5.40	12	8	330	2500	
	2D11C	3.40	3.40	12	8	178	1000	
	2D18C	3.40	3.40	12	8	178	1000	
	3D11C	4.20	4.20	12	8	178	1500	
	DB318	4.05	5.30	16	12	330	2500	
	SD10	5.30	5.30	12	8	330	3800	
	SD12	5.30	5.30	12	8	330	3800	
	SD18	5.30	5.30	12	8	330	3800	
	SD20	5.30	5.30	12	8	330	3000	
	SD25	5.30	5.30	12	8	330	2900	
	7030AB	7.60	7.70	16	12	330	1500	
	7035AB	7.60	7.70	16	12	330	1000	
	7040AB	7.60	7.70	16	12	330	1000	
	7045AB	7.60	7.70	16	12	330	1000	
	7050AB	7.60	7.70	16	12	330	700	
	7060AB	7.60	7.70	16	12	330	700	
	MLPS	3010	3.40	3.40	12	8	178	1500
		3015	3.40	3.40	12	8	178	1000
4012		4.40	4.40	12	8	178	1000	
4018		4.40	4.40	12	8	178	1000	
4020		4.50	4.50	12	8	178	1000	
5010		5.40	5.40	12	8	178	1000	
5015		5.40	5.40	12	8	178	1000	
MSCDRB	0403	4.50	6.70	16	8	330	2500	
	0905	10.1	13.6	24	12	330	1000	
	1507	15.6	18.8	32	24	330	250	

TYPE	SIZE	A (in mm)	B (in mm)	W (in mm)	P (in mm)	Reel diam (in mm)	CHIPS/REEL
MSCDB	0603	4.50	6.70	16	8	330	2500
	1303	9.60	13.6	24	12	330	1000
	1305	10.1	13.6	24	12	330	1000
	1311	9.70	13.6	24	20	330	250
	1807	15.6	18.8	32	24	330	300
	0905H	6.20	9.10	16	12	330	1000
	1305H	10.1	13.6	24	12	330	700
	1807H	16.4	18.8	32	20	330	250
	2207H	16.4	22.2	44	24	330	250