

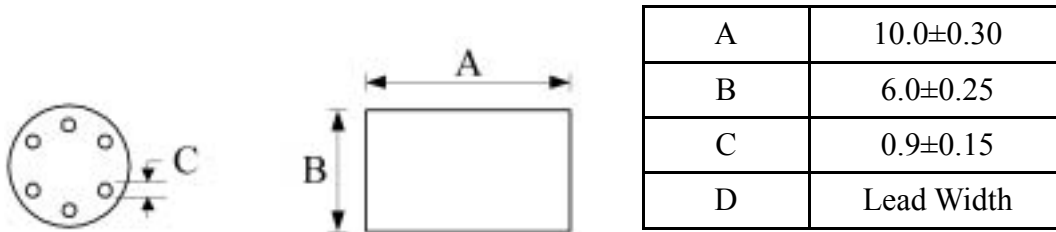


MAG LAYERS USA, INC
 1502 Brookhollow Drive, Suite C
 Santa Ana, CA 92705
 Phone (800) 427-4010 Fax (714) 427-0693
www.maglayersusa.com sales@maglayersusa.com
 ISO9001 & QS9000 Certified Manufacturer of Inductors & Ferrite Beads

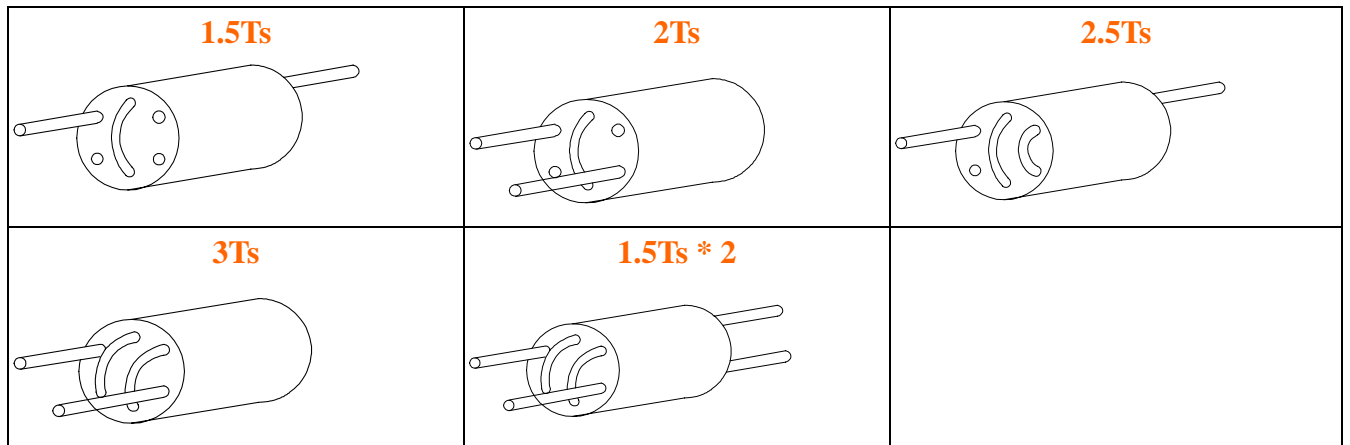
ROHS Compliance Statement

Component type: R6H series
 Description: wire wound ferrite core

Drawing:



◆ PRODUCT DIAGRAMS



Lead 164.0 ppm Hg N.D. Ferrite core: Cd N.D. Cr+6 N.D. Report 85632
 Termination:
 Ag, Cu, Ni, Sn

Notes: The lead contained in this product is less than 200 ppm and is contained within the body. The terminations contain no detectable amount of lead.