

SCOPE :

This specification applies to the Pb Free high current type SMD inductors for
MSCDRI-6030X-SERIES

Warn:It is here not to use synchronous rectification circuit !

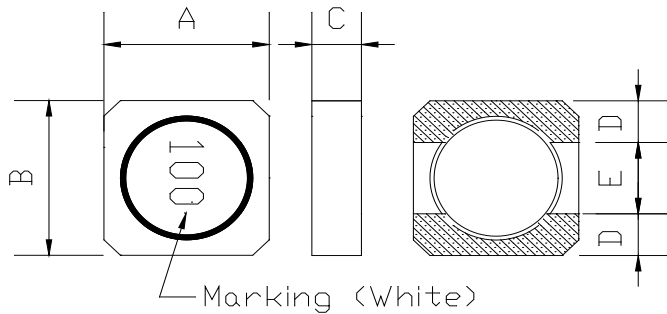
PRODUCT IDENTIFICATION

MSCDRI - 6030X - 100 M

① ② ③ ④

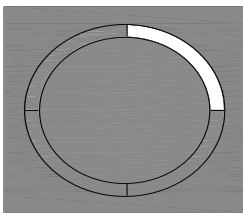
- ① Product Code
- ② Dimensions Code
- ③ Inductance Code
- ④ Tolerance Code

(1) SHAPES AND DIMENSIONS



A: 6.0 ± 0.2	mm
B: 6.0 ± 0.2	mm
C: 3.0 Max.	mm
D: 2.0 Typ.	mm
E: 2.0 Typ.	mm

Void Appearance Tolerance Limit



- 1.The length of the hole in the epoxy of the sealed glue position should be less than 1/4 of the DR core 's circumference, otherwise, it is NG.
- 2.The total length of the amount of hole in the epoxy should be less than 1/4 of the DR core 's circumference, otherwise, it is NG.

(2) ELECTRICAL SPECIFICATIONS

SEE TABLE 1

TEST INSTRUMENTS

- L : HP 4284A PRECISION LCR METER (or equivalent)
- RDC : CHROMA MODEL 16502 MILLIOHM METER (or equivalent)



MAG.LAYERS

TABLE 1

MAGLAYERS PT/NO.	Inductance L(μH)	Percent Tolerance	Test Frequency	Resistance RDC(Ω)Max.	Rated DC Current		Marking
					IDC1(A)	IDC2(A)	
MSCDRI-6030X-1R0□	1.0	N	100kHz/0.1V	13.85m	4.20	4.50	1R0
MSCDRI-6030X-1R5□	1.5	N	100kHz/0.1V	19.00m	4.00	4.00	1R5
MSCDRI-6030X-2R2□	2.2	N	100kHz/0.1V	23.75m	3.80	3.80	2R2
MSCDRI-6030X-2R7□	2.7	M,N	100kHz/0.1V	32m	3.70	3.70	2R7
MSCDRI-6030X-3R3□	3.3	M,N	100kHz/0.1V	36m	3.60	2.75	3R3
MSCDRI-6030X-4R7□	4.7	M,N	100kHz/0.1V	45m	3.30	2.50	4R7
MSCDRI-6030X-5R0□	5.0	N	100kHz/0.1V	45m	3.30	2.50	5R0
MSCDRI-6030X-6R2□	6.2	M,N	100kHz/0.1V	56m	2.50	2.40	6R2
MSCDRI-6030X-6R8□	6.8	M,N	100kHz/0.1V	56m	2.50	2.40	6R8
MSCDRI-6030X-8R2□	8.2	M,N	100kHz/0.1V	70m	2.30	2.30	8R2
MSCDRI-6030X-100□	10	M,N	100kHz/0.1V	85m	2.20	2.20	100
MSCDRI-6030X-120□	12	M,N	100kHz/0.1V	0.10	1.90	1.90	120
MSCDRI-6030X-150□	15	M,N	100kHz/0.1V	0.12	1.70	1.60	150
MSCDRI-6030X-220□	22	M,N	100kHz/0.1V	0.16	1.50	1.40	220
MSCDRI-6030X-330□	33	M,N	100kHz/0.1V	0.22	1.30	1.10	330
MSCDRI-6030X-470□	47	M,N	100kHz/0.1V	0.30	1.10	1.00	470

※ □ specify the inductance tolerance, M(±20%), N(±30%)

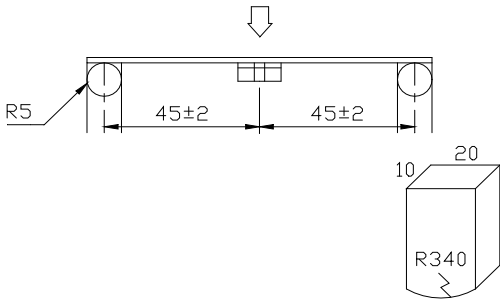
※ IDC1 : Based on inductance change ($\Delta L/L_0$: drop 30% Max.) @ ambient temp. 25°C

IDC2 : Based on temperature rise (ΔT : 40°C TYP.)

Rated DC Current : The less value which is IDC1 or IDC2.



(4) RELIABILITY TEST METHOD MECHANICAL

TEST ITEM	SPECIFICATION	TEST DETAILS
Substrate bending	$\Delta L/L_0 \leq \pm 5\%$ There shall be no mechanical damage or electrical damage.	<p>The sample shall be soldered onto the printed circuit board in figure 1 and a load applied until the figure in the arrow direction is made approximately 3mm.(keep time 30 seconds)</p> <p>PCB dimension shall the page 7/9</p> <p>F(Pressurization)</p>  <p>10 20 R340</p> <p>PRESSURE ROD figure-1</p>
Vibration	$\Delta L/L_0 \leq \pm 5\%$ There shall be no mechanical damage.	<p>The sample shall be soldered onto the printed circuit board and when a vibration having an amplitude of 1.52mm and a frequency of from 10 to 55Hz/1 minute repeated should be applied to the 3 directions (X,Y,Z) for 2 hours each. (A total of 6 hours)</p>
Solderability	New solder More than 90%	<p>Flux (rosin, isopropyl alcohol{JIS-K-1522}) shall be coated over the whole of the sample before hard, the sample shall then be preheated for about 2 minutes in a temperature of 130~150°C and after it has been immersed to a depth 0.5mm below for 3±0.2 seconds fully in molten solder M705 with a temperature of 245±5°C.</p> <p>More than 90% of the electrode sections shall be covered with new solder smoothly when the sample is taken out of the solder bath.</p>

MECHANICAL

TEST ITEM	SPECIFICATION	
Resistance to Soldering heat (reflow soldering)	There shall be no damage or problems.	<p style="text-align: center;">Temperature profile of reflow soldering</p> <p>The specimen shall be passed through the reflow oven with the condition shown in the above profile for 1 time.</p> <p>The specimen shall be stored at standard atmospheric conditions for 1 hour, after which the measurement shall be made.</p>

ELECTRICAL

TEST ITEM	SPECIFICATION	TEST DETAILS
Temperature characteristics	$\Delta L/L20^{\circ}\text{C} \leq \pm 10\%$ $0 \sim 2000 \text{ ppm}/^{\circ}\text{C}$	The test shall be performed after the sample has stabilized in an ambient temperature of -20 to $+85^{\circ}\text{C}$, and the value calculated based on the value applicable in a normal temperature and normal humidity shall be $\Delta L/L20^{\circ}\text{C} \leq \pm 10\%$.



ENVIROMENT CHARACTERISTICS

TEST ITEM	SPECIFICATION																
High temperature storage	$\Delta L/Lo \leq \pm 5\%$ There shall be no mechanical damage.	The sample shall be left for 96 ± 4 hours in an atmosphere with a temperature of 125°C and a normal humidity. Upon completion of the measurement shall be made after the sample has been left in a normal temperature and normal humidity for 1 hour.															
Low temperature storage	$\Delta L/Lo \leq \pm 5\%$ There shall be no mechanical damage.	The sample shall be left for 96 ± 4 hours in an atmosphere with a temperature of $-25 \pm 3^\circ\text{C}$. Upon completion of the test, the measurement shall be made after the sample has been left in a normal temperature and normal humidity for 1 hour.															
Change of temperature	$\Delta L/Lo \leq \pm 5\%$ There shall be no other damage of problems	The sample shall be subject to 5 continuous cycles, such as shown in the table 2 below and then it shall be subjected to standard atmospheric conditions for 1 hour, after which measurement shall be made. <div style="text-align: center;"> table 2 <table border="1" style="margin: auto;"> <thead> <tr> <th></th> <th style="text-align: center;">Temperature</th> <th style="text-align: center;">Duration</th> </tr> </thead> <tbody> <tr> <td style="text-align: center;">1</td> <td style="text-align: center;">$-25 \pm 3^\circ\text{C}$ (Thermostat No.1)</td> <td style="text-align: center;">30 min.</td> </tr> <tr> <td style="text-align: center;">2</td> <td style="text-align: center;">Standard atmospheric</td> <td style="text-align: center;">No.1→No.2</td> </tr> <tr> <td style="text-align: center;">3</td> <td style="text-align: center;">$85 \pm 2^\circ\text{C}$ (Thermostat No.2)</td> <td style="text-align: center;">30 min.</td> </tr> <tr> <td style="text-align: center;">4</td> <td style="text-align: center;">Standard atmospheric</td> <td style="text-align: center;">No.2→No.1</td> </tr> </tbody> </table> </div>		Temperature	Duration	1	$-25 \pm 3^\circ\text{C}$ (Thermostat No.1)	30 min.	2	Standard atmospheric	No.1→No.2	3	$85 \pm 2^\circ\text{C}$ (Thermostat No.2)	30 min.	4	Standard atmospheric	No.2→No.1
	Temperature	Duration															
1	$-25 \pm 3^\circ\text{C}$ (Thermostat No.1)	30 min.															
2	Standard atmospheric	No.1→No.2															
3	$85 \pm 2^\circ\text{C}$ (Thermostat No.2)	30 min.															
4	Standard atmospheric	No.2→No.1															
Moisture storage	$\Delta L/Lo \leq \pm 5\%$ There shall be no mechanical damage.	The sample shall be left for 96 ± 4 hours in a temperature of $40 \pm 2^\circ\text{C}$ and a humidity(RH) of 90~95%. Upon completion of the test, the measurement shall be made after the sample has been left in a normal temperature and normal humidity more than 1 hour.															
Test conditions : The sample shall be reflow soldered onto the printed circuit board in every test.																	

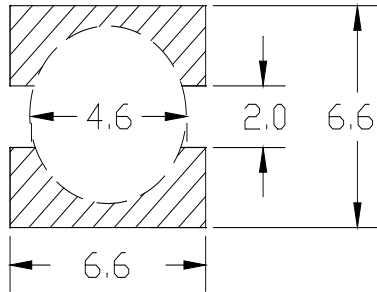
(5) LAND DIMENSION (Ref.)

PCB: GLASS EPOXY $t=1.6\text{mm}$

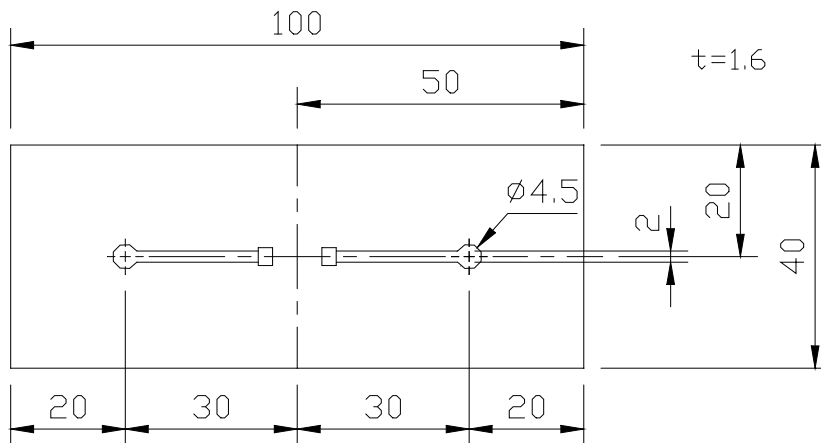
(5)-1 LAND PATTERN DIMENSIONS

(STANDARD PATTERN)

unit : mm



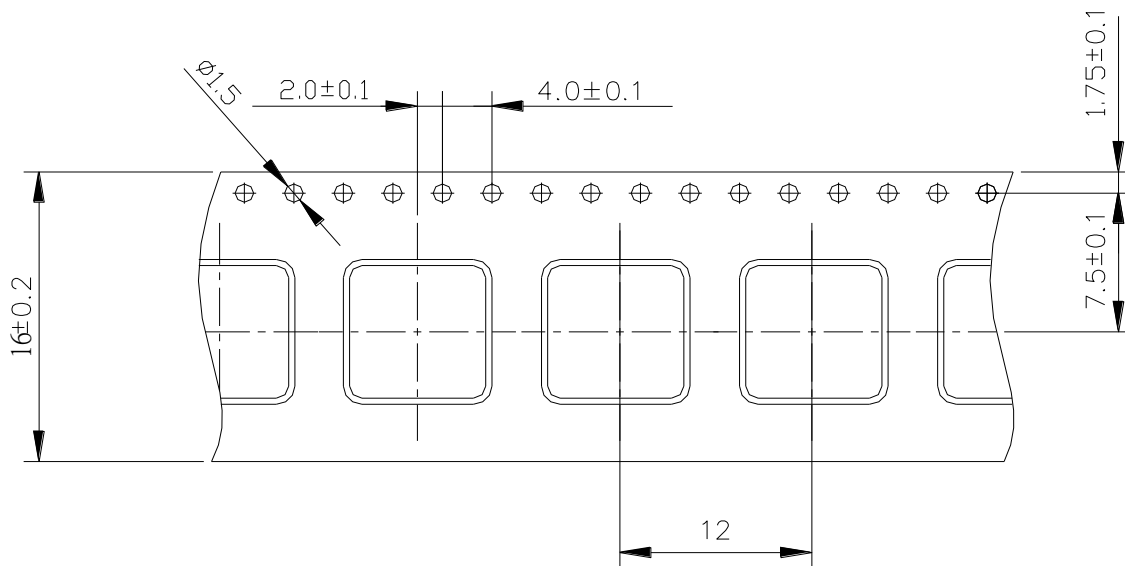
(5)-2 SUBSTRATE BENDING TEST BENDING TEST BOARD



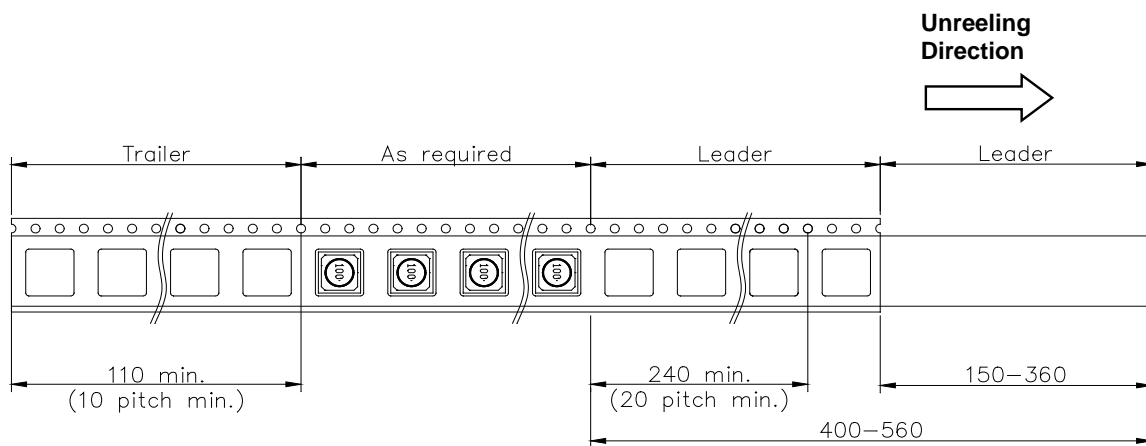
MAG.LAYERS

(6) PACKAGING

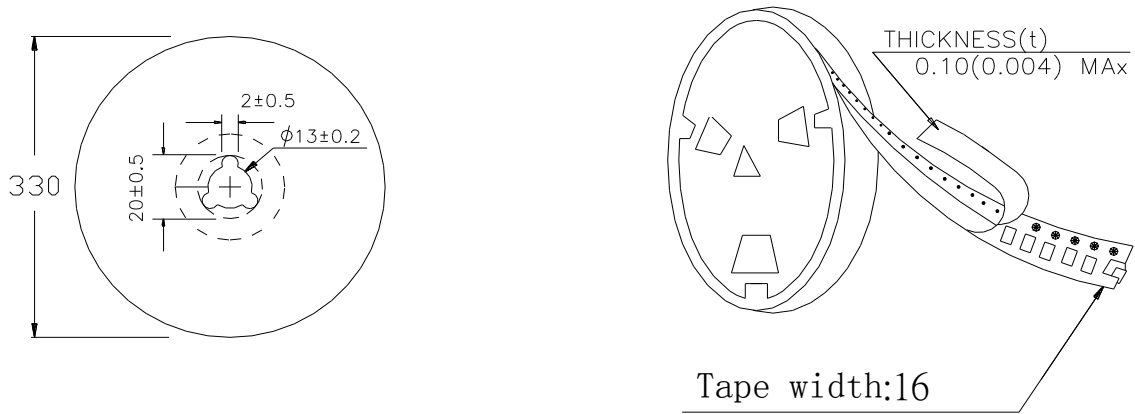
(6)-1 CARRIER TAPE DIMENSIONS (mm)



(6)-2 TAPING DIMENSIONS (mm)



(6)-3 REEL DIMENSIONS (mm)



(6)-4 QUANTITY

1500pcs/Reel

The products are packaged so that no damage will be sustained.