



RoHS Compliant
Halogen Free
REACH Compliant



- Noise
Suppression
- Shield
- Multilayer
- Ferrite
- General
Signal line

■ Part Numbering

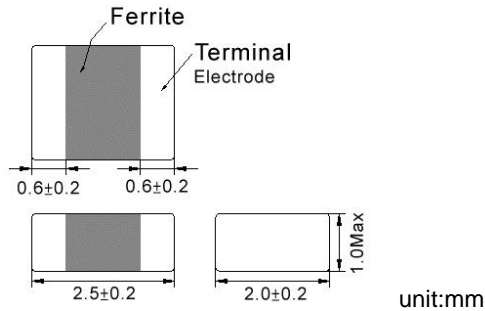
AMPI	201610	1R0	M	PB6
Series Name	Dimensions Code (mm)	Inductance (uH)	Tolerance	Internal Code
1608DZ	1.6x0.8x0.8	R47 0.47	T ±30%	PB2
201210	2.0x1.25x1.0	1R0 1.0	M ±20%	PB6
201610	2.0x1.6x1.0			PE2
252010	2.5x2.0x1.0			

This specification applies to Multilayer Chip Inductors for Automotive Electronics based on AEC-Q200 except for Power train and Safety.

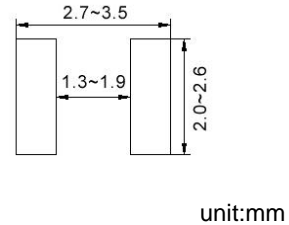


AMPI-252010 Type

■ Dimensions



■ Recommended Land Pattern



■ Electrical Characteristics

Part No.	Inductance	Test Freq.	RDC	Isat	Irms(mA)Max.		Tolerance
	(uH)				(Ω) \pm 25%	(mA)Max.	
AMPI-252010-R47□-PB6	0.47	3MHz,200mV	0.040	1500	1800	1300	20,30
AMPI-252010-1R0□-PB6	1.0	3MHz,200mV	0.055	900	1600	1200	20,30
AMPI-252010-2R2□-PB6	2.2	3MHz,200mV	0.080	500	1300	950	20,30
AMPI-252010-3R3□-PB6	3.3	3MHz,200mV	0.100	400	1200	900	20,30
AMPI-252010-4R7□-PB6	4.7	3MHz,200mV	0.110	300	1100	800	20,30

Note: When ordering, please specify tolerance code. Tolerance: M= \pm 20% / T= \pm 30%

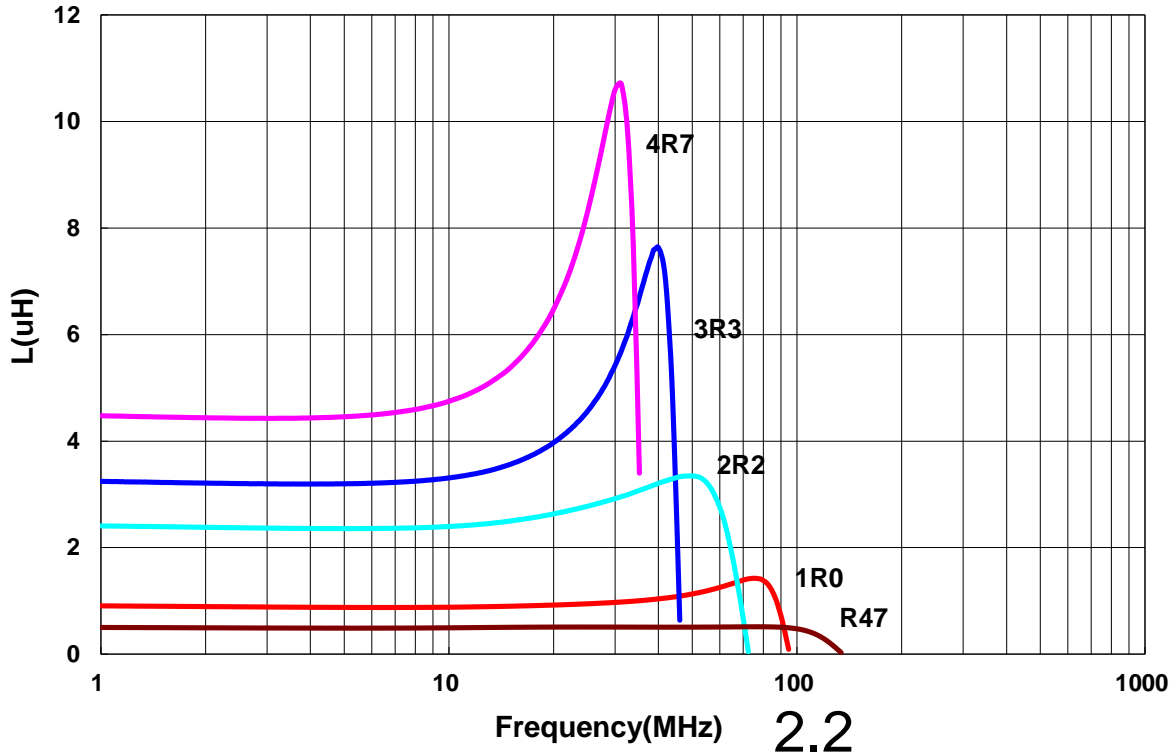
1. Operating temperature range - 40°C ~ 125°C
2. Isat for Inductance drop 30% from its value without current
3. Irms for When applied current to the Products, temperature rise caused by self-generated heat shall be limited to 40 °C max
4. As for the Rated current marked with *1, Rated Current is depending on the operating temperature
5. Measure Equipment :
L : Agilent HP4287A+16197A
RDC : HP 4338B, or equivalent



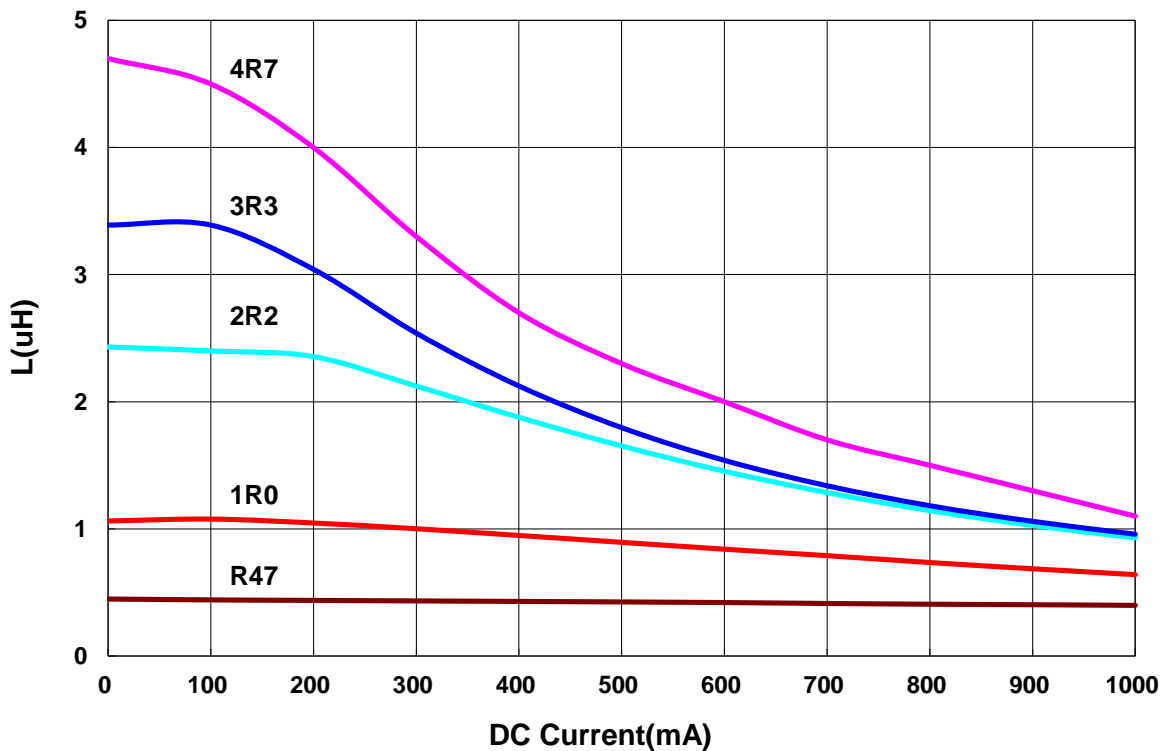
AMPI-252010 Type

■ Characteristics Graph

Inductance vs. Frequency Characteristics



Inductance vs. DC Current

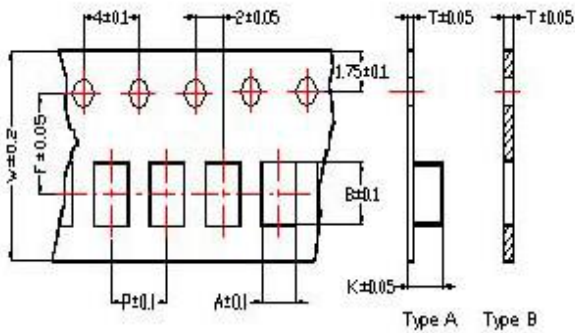


Please be sure to request approval specifications that provide further details of the products. Kindly note that the content of these specifications are subject to change or may be discontinued without prior notice. This product may not be designed/used in medical or high risk applications without Mag.Layers approval. Please contact our sales department before ordering.



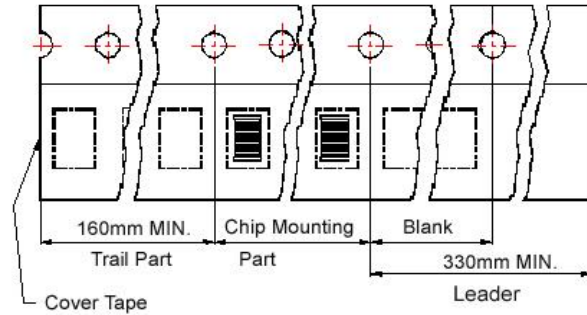
■ Packaging

Tape Dimensions

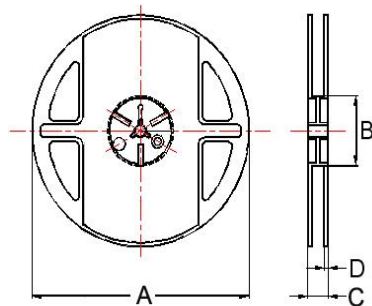


Tape Material

Carrier Tape: Polycarbonate (Tape A)
Carrier Tape: Paper (Tape B)
Cover Tape: Polystyrene



Reel Dimensions



Dimensions in mm

TYPE	Tape Dimensions								Reel Dimensions				Quantity PCS / Reel
	A	B	T	W	P	F	K	Tape	A	B	C	D	
AMPI-1608DZ	1.05	1.85	0.95	8	4	3.5	-	B	178	60	12	1.5	4000
AMPI-201210	1.45	2.25	0.22	8	4	3.5	1.04	A	178	60	12	1.5	4000
AMPI-201610	1.8	2.2	0.22	8	4	3.5	1.15	A	178	60	12	1.5	3000
AMPI-252010	2.25	2.8	0.25	8	4	3.5	1.35	A	178	60	12	1.5	3000