



Networking Communication Components

RT Series

LAN Transformer

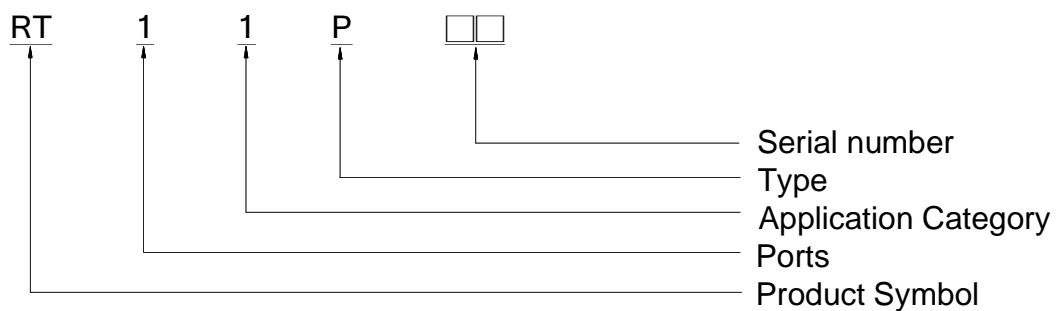
Part number: RT11P01

Part name :10/ 100 Transformer Single Port

Feature

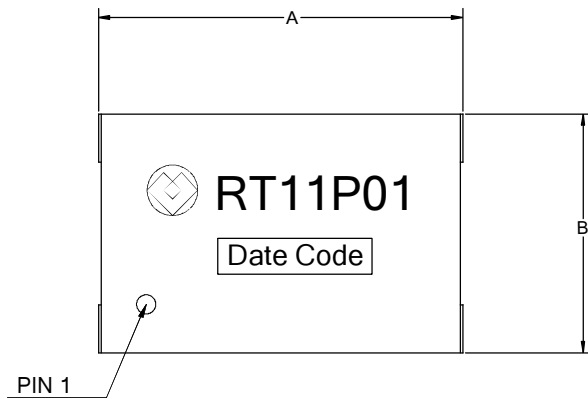
● Compliant and peak reflow temperature rating 245°C .
● Meets IEEE802.3 specification.
● Excellent common mode noise suppression.
● Packaging specification is reel. (RT11P□□ : Reel)

Part number code

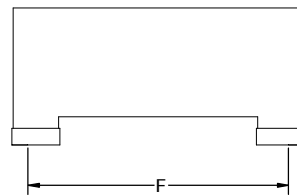
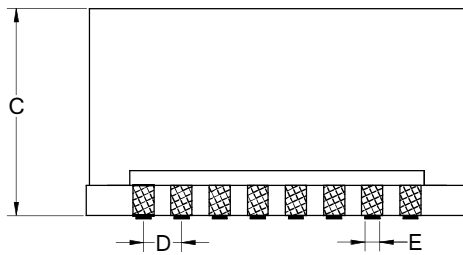
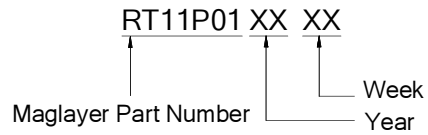


REV.	Description	Date	Drawn	Designed	Approved
A	Specification issued	01.18.2012	Allen.Yu	Allen.Yu	James.Cheng
B	Mechanical Dimension change : unit B : 9.50 mm -> 8.50 mm unit F : 6.90 mm -> 5.90 mm Suggested Land Pattern change : unit c : 6.30 mm -> 5.30 mm	03.19.2013	Yuxuan.Xiang	Yuxuan.Xiang	James.Cheng

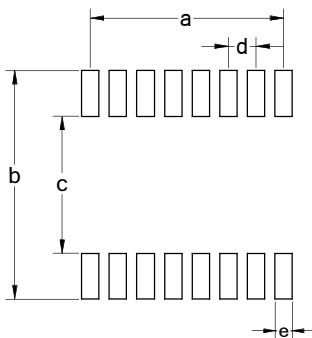
Mechanical Dimension and Marking



UNIT	mm	inch
A	12.70 +0.254/-0.254	0.500 +0.010/-0.010
B	8.50 +0.254/-0.254	0.335 +0.010/-0.010
C	5.97 +0.254/-0.254	0.235 +0.010/-0.010
D	1.27 +0.254/-0.254	0.050 +0.010/-0.010
E	0.50 +0.127/-0.127	0.020 +0.005/-0.005
F	5.90 +0.254/-0.254	0.232 +0.010/-0.010



Suggested Land Pattern

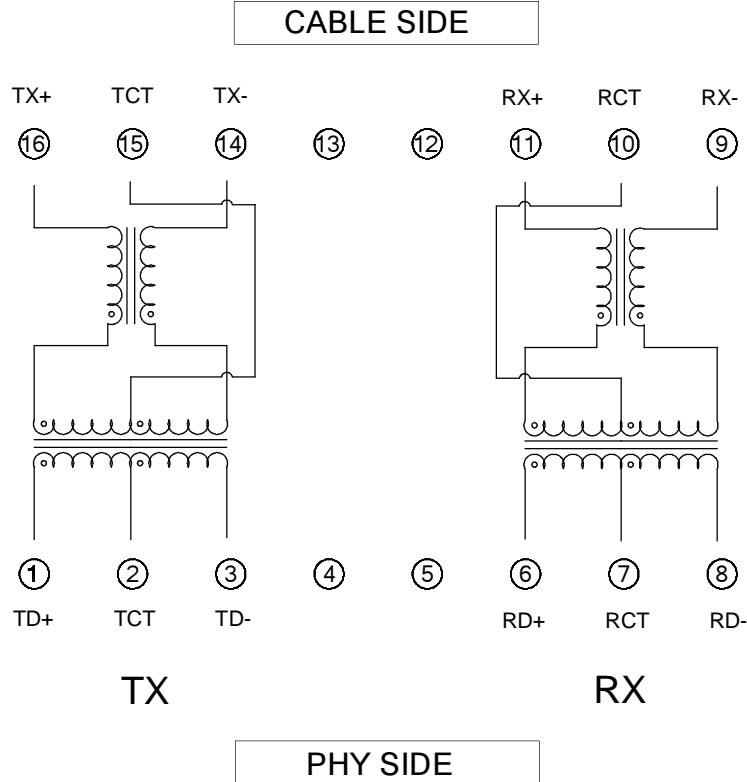


UNIT	mm	inch
a	8.89	0.350
b	10.20	0.402
c	5.30	0.209
d	1.27	0.050
e	0.80	0.030

Drawn	Allen.Yu	Designed	Allen.Yu	Approved	James.Cheng
-------	----------	----------	----------	----------	-------------

Schematics

RT11P01



N.C. pins: ④ ⑤ ⑫ ⑬

Electrical Specification @ 25°C, Humidity 65% RH

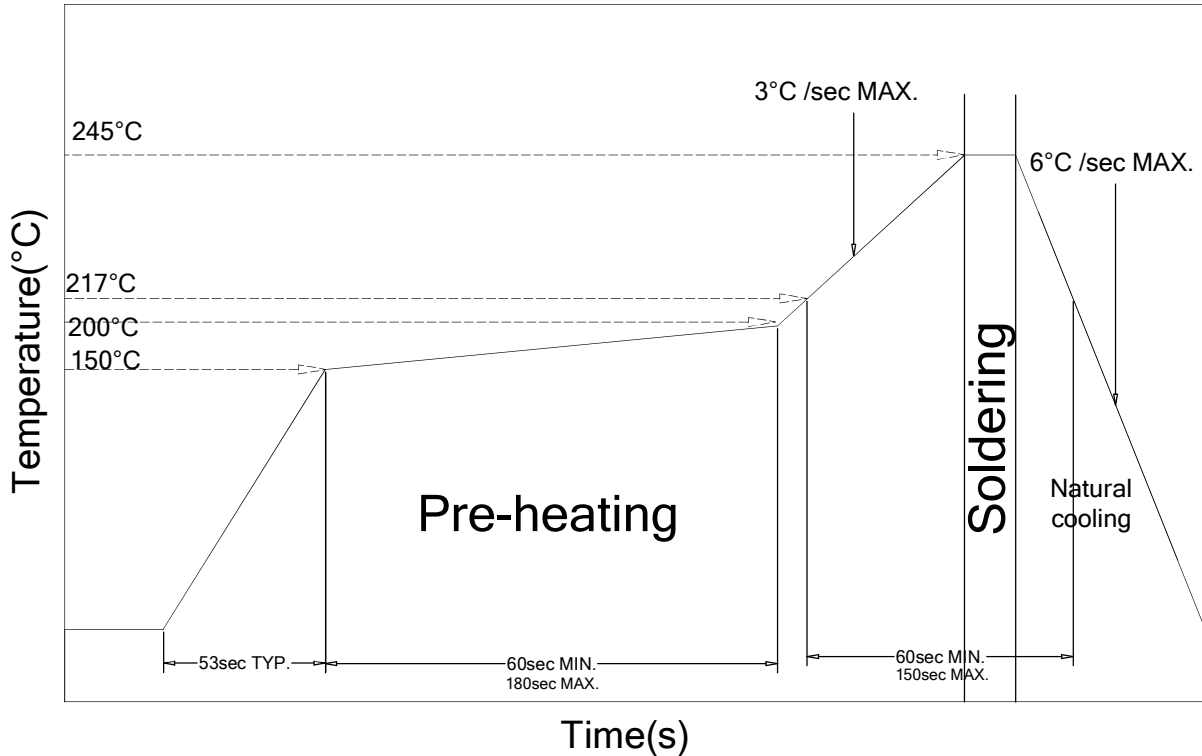
Inductance @ Phy side(OCL)
100KHz, 0.1V, 8mA DC Bias
350uH MIN

Part Number	Turns Ratio		Insertion Loss dB MAX	Return Loss dB MIN			DMCR dB MIN			Crosstalk dB MIN			Hipot Vrms, Sec
	TX	RX		30MHz	60MHz	80MHz	30MHz	50MHz	100MHz	30MHz	60MHz	100MHz	
	1MHz-100MHz												
RT11P01	1:1±3%	1:1±3%	-1.1	-20	-14	-11.5	-42	-37	-33	-45	-40	-35	Pri To Sec @60Hz, 1mA 1500, 60

Operating Temperature: 0°C to +70°C.
Storage Temperature: -25°C to +105°C
JSDEC Moisture: Level 1.



Reflow Soldering

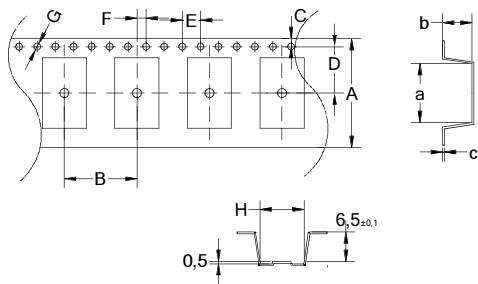


- IR Reflow soldering :
Preheat at 3°C per second to 217°C and using lead free solder ,
IR at 245°C for 30seconds Max.
- Rework flow:
Component must withstand two IR reflow cycles with a cool down
between cycles
- Temperature is measured at the terminal portion of product
(Using thermocoupler for measurement).
- This profile is reference data we recommend. Please check in your
actual process.
- For reliable soldering, the thickness of solder paste screen should
be over the terminal co-planality.
- The cutted end of terminal has no plating
(out of subject of solder ability).

Packaging Styles

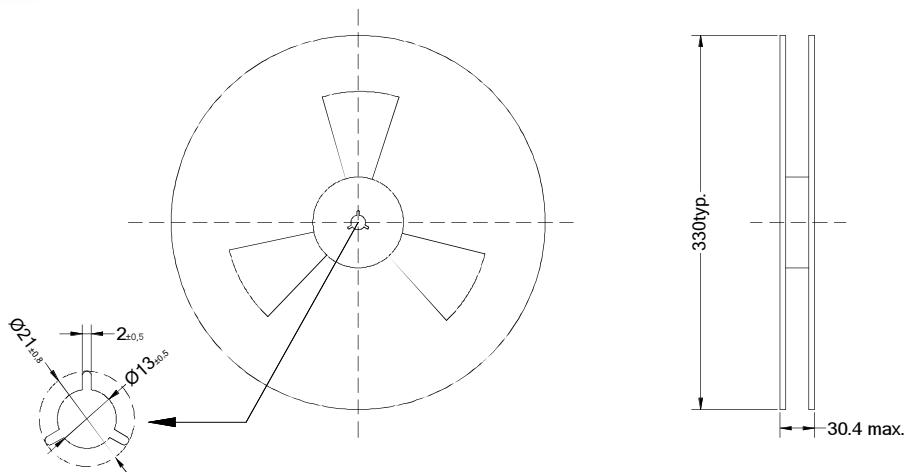
Per 13" reel : 650 pieces

Tape Dimensions



UNIT	mm	UNIT	mm
A	24.00± 0.30	F	2.00± 0.10
B	16.00± 0.10	G	1.50+ 0.10
C	1.75± 0.10	H	9.70± 0.10
D	11.50± 0.10	a	13.00± 0.10
E	4.00± 0.10	b	6.50± 0.10
10*E	40.00± 0.20	c	0.40± 0.05

Reel Dimensions



Dimensions in mm

Recommended Condition For Long Term Store

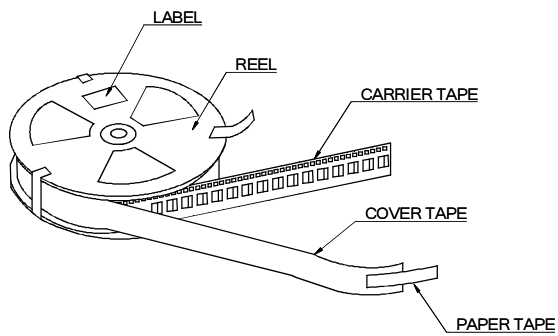
When it stores for a long term, please avoid place of high temperature and high humidity.

Recommend that it uses after the delivery within 1 year.

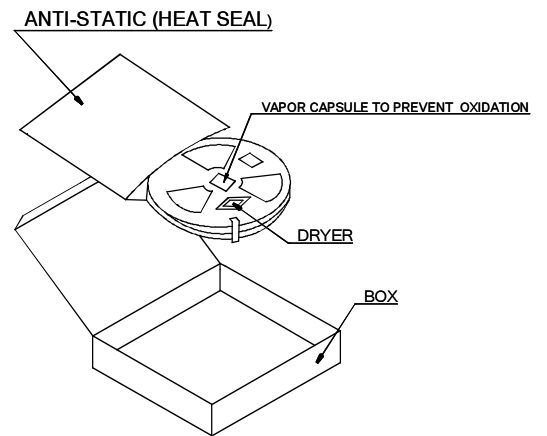
- Temperature range: +5 to +30°C.
- Humidity: 60(%)RH max..
- All dimensions meet EIA-481-C requirement.

Package Specification

650 pieces / reel



1 reel / BOX



2 BOX / CARTON
1300 pieces / CARTON

