



# Networking Communication Components

## RT Series

### LAN Transformer

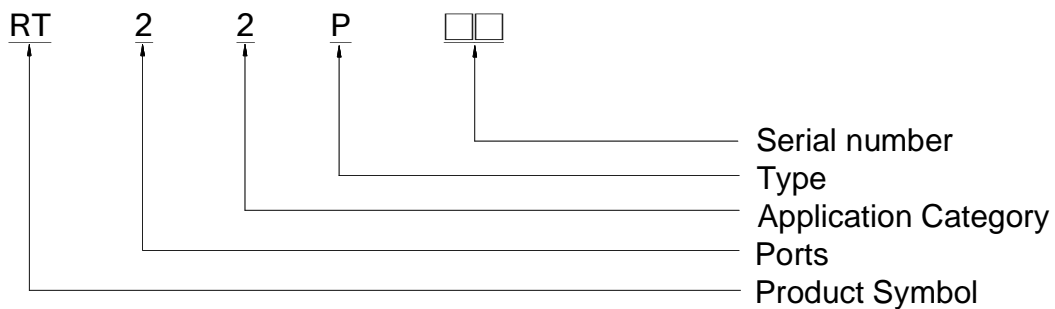
Part number: RT22P04

Part name : Giga Transformer Two Port

### Feature

- |  |
|--|
| ● Compliant and peak reflow temperature rating 245°C .   |
| ● Meets IEEE802.3 specification.                         |
| ● Excellent common mode noise suppression.               |
| ● Packaging specification is reel.<br>( RT22P□□ : Reel ) |

### Part number code







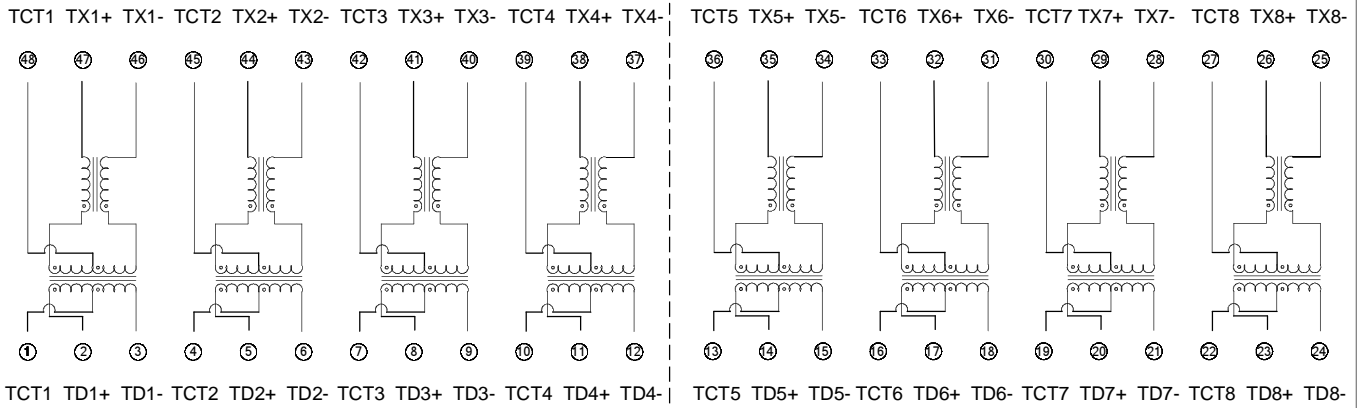
# Schematics

RT22P04

CABLE SIDE

Port1

Port2



PHY SIDE

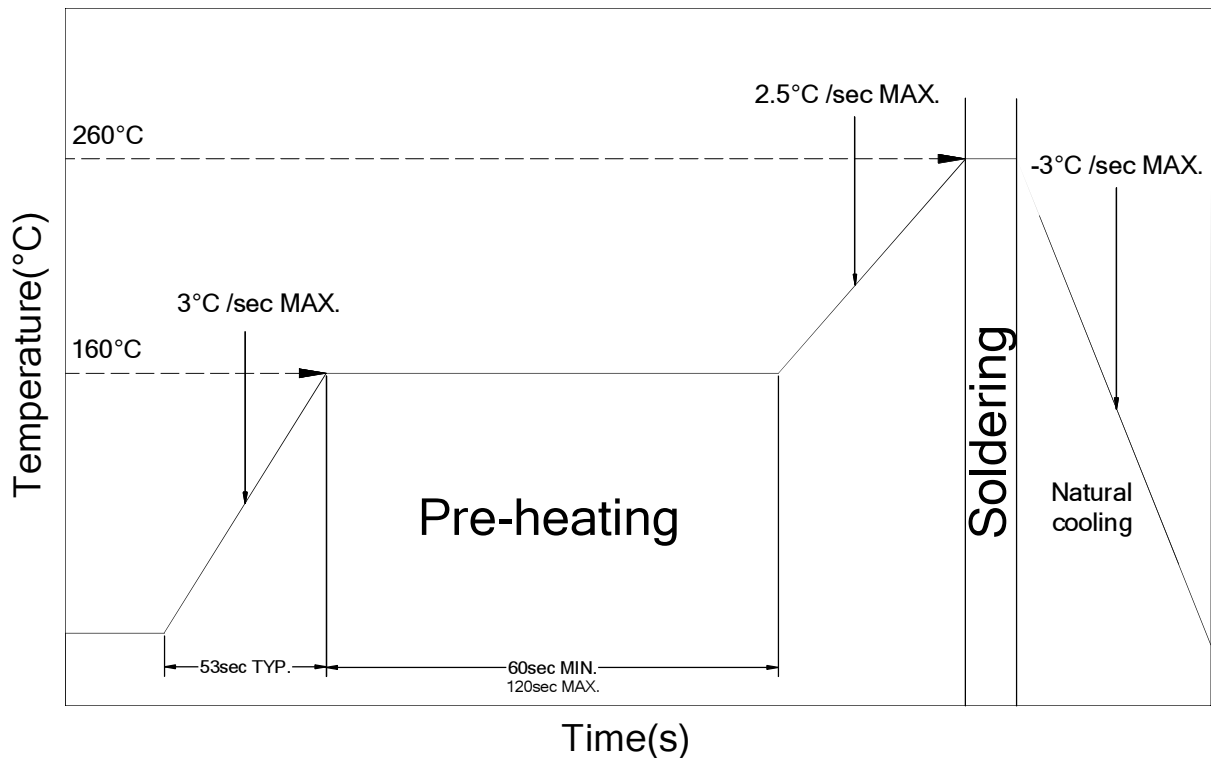
## Electrical Specification @ 25°C, Humidity 65% RH

Inductance @ Phy side(OCL)  
100KHz, 0.1V, 8mA DC Bias  
350uH MIN

Part Number	Turns Ratio	Insertion Loss	Return Loss					DMCR			Crosstalk			Hipot Vrms, Sec		
	100KHz		dB MAX		dB MIN					dB MIN			dB MIN			
	± 3%	1MHz-100MHz	1MHz-30MHz	40MHz-50MHz	60MHz-80MHz	100MHz	30MHz	60MHz	100MHz	30MHz	60MHz	100MHz	Pri To Sec			
RT22P04	1:1	-1.0	-16	-14.4	-13.1	-12	-10	-45	-40	-35	-40	-35	-33	1500, 60		

Operating Temperature: -40°C to +85°C.  
Storage Temperature: -25°C to +105°C  
JSDEC Moisture: Level 1.

## Reflow Soldering

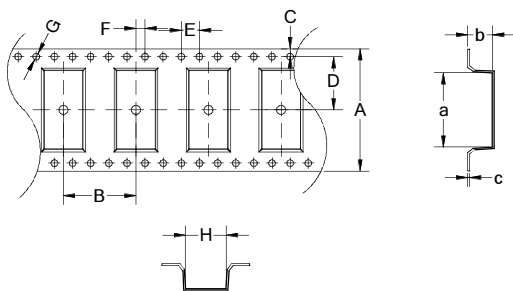


- IR Reflow soldering :  
Preheat at 3°C per second to 160°C and using lead free solder ,  
IR at 260°C for 10 seconds.
- Rework flow:  
Component must withstand two IR reflow cycles with a cool down  
between cycles
- Temperature is measured at the terminal portion of product  
(Using thermocoupler for measurement).
- This profile is reference data we recommend. Please check in your  
actual process.
- For reliable soldering, the thickness of solder paste screen should  
be over the terminal co-planality.
- The cutted end of terminal has no plating  
(out of subject of solder ability).

## **Packaging Styles**

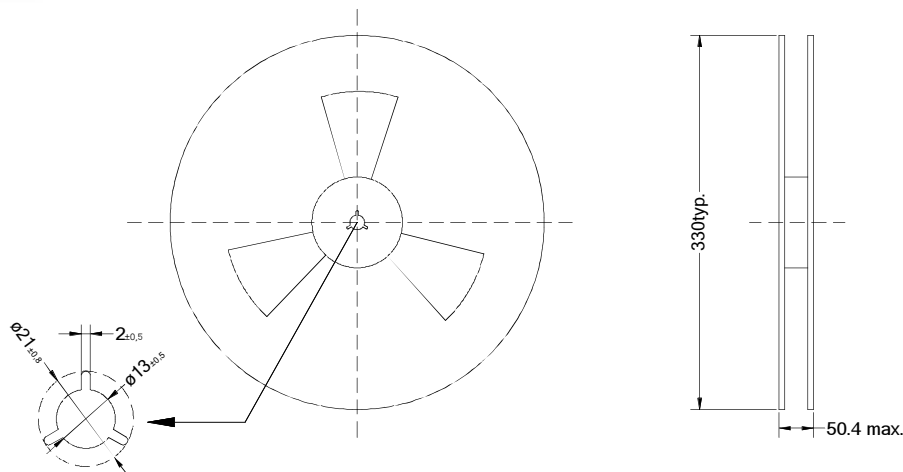
Per 13" reel : 350 pieces

## **Tape Dimensions**



UNIT	mm	UNIT	mm
A	44.00± 0.30	F	2.00± 0.10
B	20.00± 0.10	G	1.50+ 0.10
C	1.80± 0.10	H	14.60± 0.10
D	20.20± 0.10	a	30.30± 0.10
E	4.00± 0.10	b	7.90± 0.10
10*E	40.00± 0.20	c	0.50± 0.05

## **Reel Dimensions**



Dimensions in mm

## **Recommended Condition For Long Term Store**

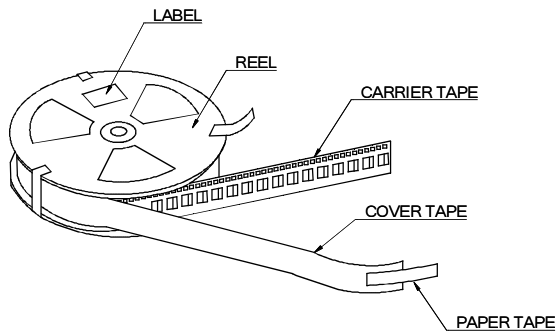
When it stores for a long term, please avoid place of high temperature and high humidity.

Recommend that it uses after the delivery within 1 year.

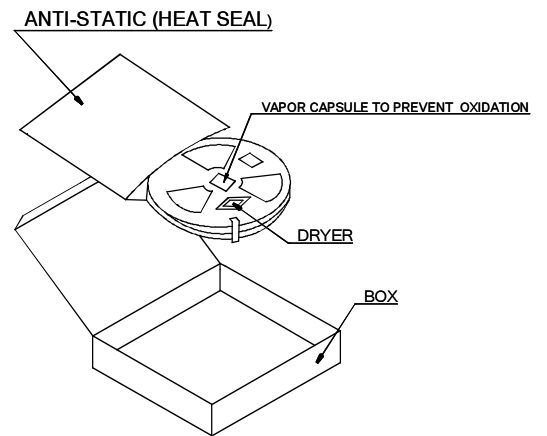
- Temperature range: +5 to +30°C.
- Humidity: 60(%)RH max..
- All dimensions meet EIA-481-C requirement.

## Package Specification

350 pieces / reel



1 reel / BOX



2 BOX / CARTON  
700 pieces / CARTON

