



Networking Communication Components

RT Series

LAN Transformer

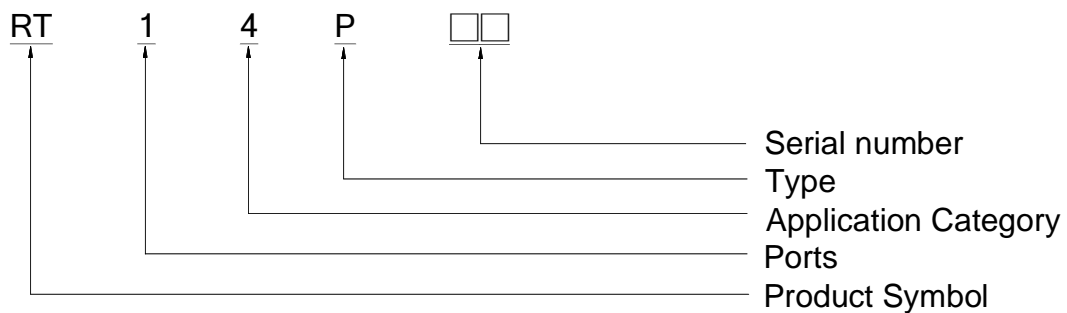
Part number: RT14P05

Part name :Giga Transformer Single Port support PoE+

Feature

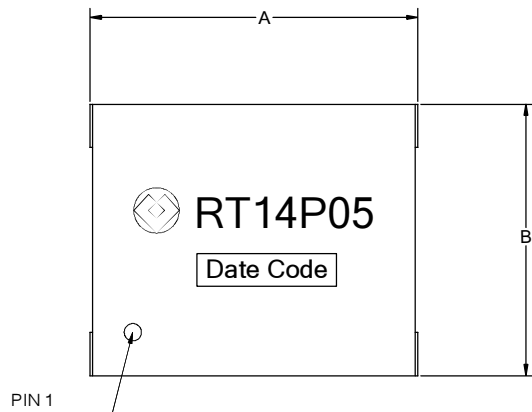
- Compliant and peak reflow temperature rating 245°C .
- Meets IEEE802.3 specification.
- Excellent common mode noise suppression.
- Packaging specification is reel.
(RT14P□□ : Reel)

Part number code

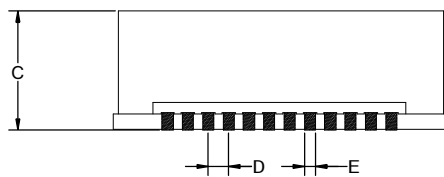
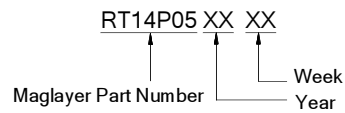


REV.	Description	Date	Drawn	Designed	Approved
A	Specification issued	07.12.2013	Yuxuan.Xiang	Yuxuan.Xiang	James.Cheng

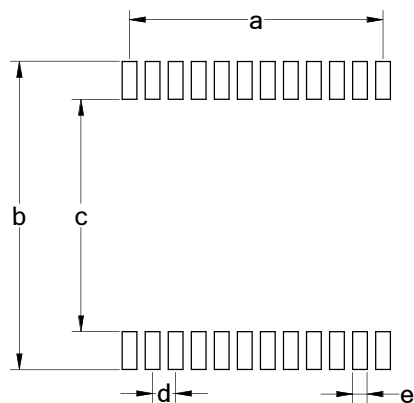
Mechanical Dimension and Marking



UNIT	mm	inch
A	17.50 +0.254/-0.254	0.689 +0.010/-0.010
B	15.00 +0.254/-0.254	0.591 +0.010/-0.010
C	5.40 +0.254/-0.254	0.213 +0.010/-0.010
D	1.27 +0.254/-0.254	0.050 +0.010/-0.010
E	0.50 +0.127/-0.127	0.020 +0.005/-0.005
F	12.40 +0.254/-0.254	0.488 +0.010/-0.010



Suggested Land Pattern

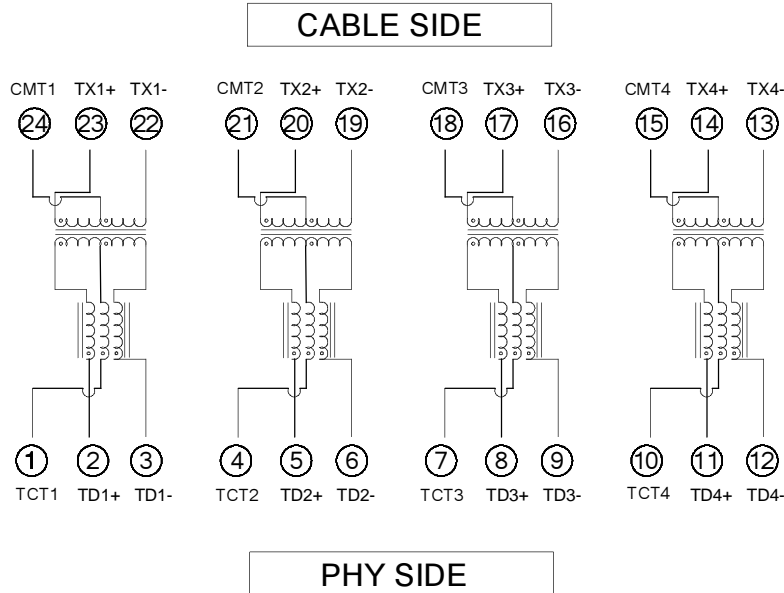


UNIT	mm	inch
a	13.97	0.550
b	16.51	0.650
c	11.70	0.461
d	1.27	0.050
e	0.76	0.030

Drawn	Yuxuan.Xiang	Designed	Yuxuan.Xiang	Approved	James.Cheng
-------	--------------	----------	--------------	----------	-------------

Schematics

RT14P05



Electrical Specification @ 25°C, Humidity 65% RH

Inductance @ Phy side(OCL)
 100KHz, 0.1V, 8mA DC Bias
 350uH MIN

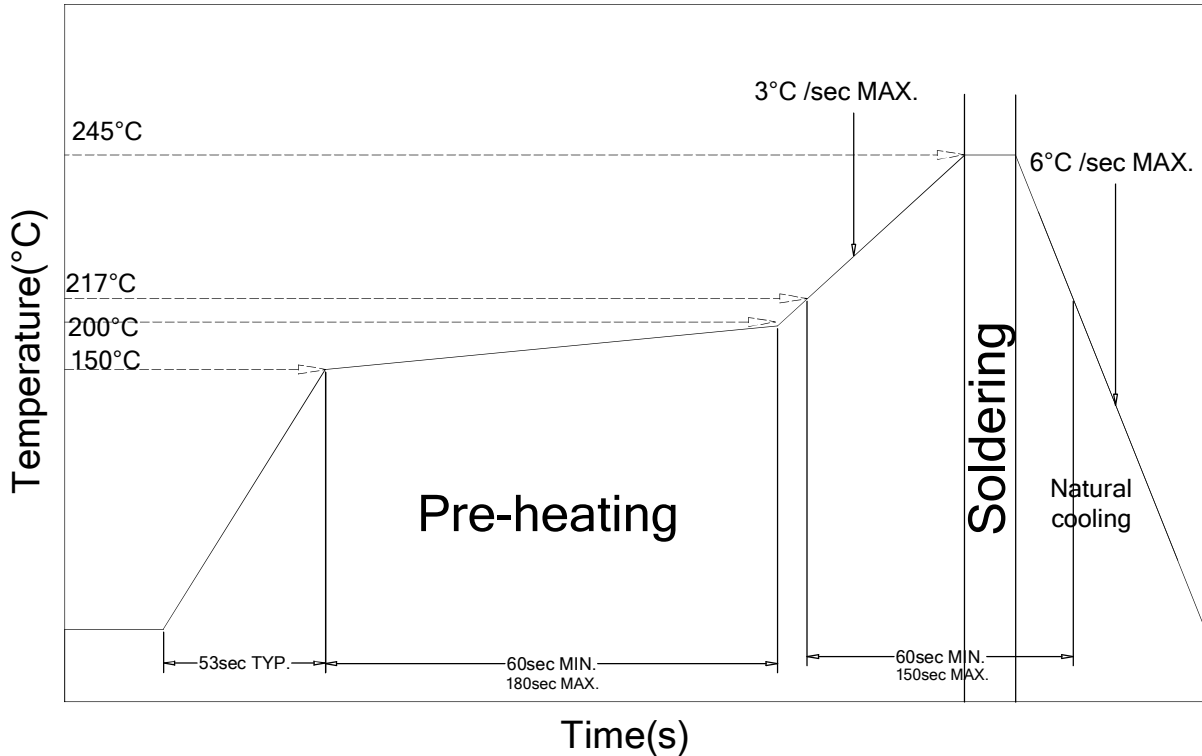
Hipot	DC Resistance	DC Current Rating
Vrms, Sec	mOhms, TYP.	MAX
Phy To Cable @ 1 mA	1/2 Winding at cable side.	720 mA DC at 57 V
1500, 60	750	

Part Number	Turns Ratio	Insertion Loss	Return Loss					DMCR			Crosstalk		
	100KHz	dB MAX	dB MIN					dB MIN			dB MIN		
	± 3%	1MHz-100MHz	1MHz-30MHz	40MHz	50MHz	60MHz-80MHz	100MHz	30MHz	60MHz	100MHz	30MHz	60MHz	100MHz
RT14P05	1:1	-1	-18	-18	-16	-12	-10	-43	-37	-33	-43	-37	-33

Operating Temperature: -40°C to +85°C.
 Storage Temperature: -25°C to +105°C
 JSDEC Moisture: Level 1.



Reflow Soldering

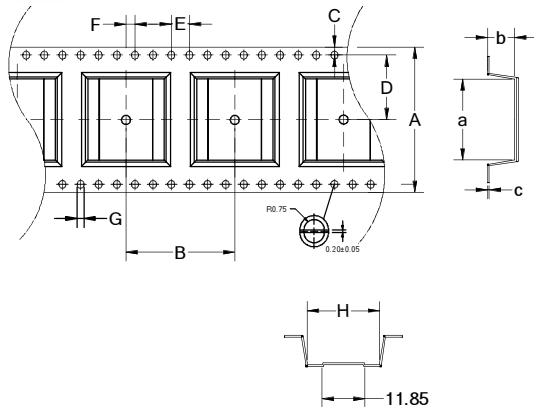


- IR Reflow soldering :
Preheat at 3°C per second to 217°C and using lead free solder ,
IR at 245°C for 30seconds Max.
- Rework flow:
Component must withstand two IR reflow cycles with a cool down
between cycles
- Temperature is measured at the terminal portion of product
(Using thermocoupler for measurement).
- This profile is reference data we recommend. Please check in your
actual process.
- For reliable soldering, the thickness of solder paste screen should
be over the terminal co-planality.
- The cutted end of terminal has no plating
(out of subject of solder ability).

Packaging Styles

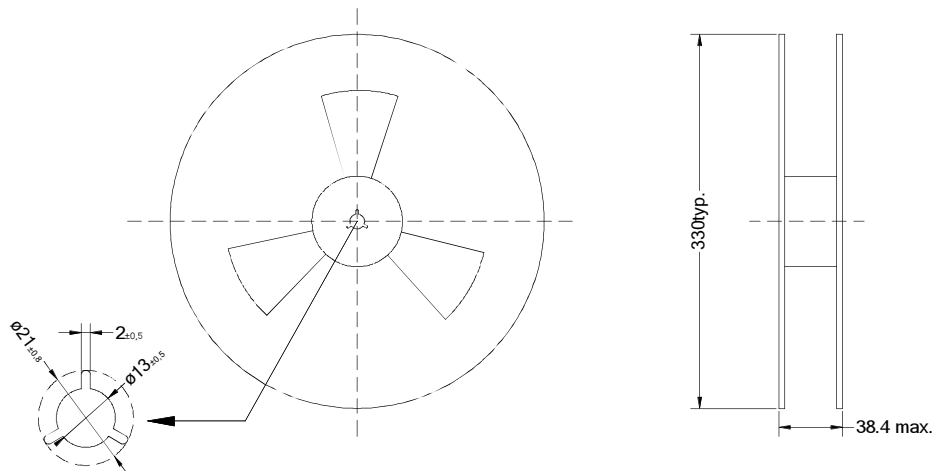
Per 13" reel: 400 pieces

Tape Dimensions



UNIT	mm	UNIT	mm
A	32.00± 0.30	F	2.00± 0.10
B	24.00± 0.10	G	1.50± 0.02
C	1.75± 0.10	H	16.85± 0.10
D	14.20± 0.10	a	17.85± 0.10
E	4.00± 0.10	b	7.50± 0.10
10*E	40.00± 0.20	c	0.40± 0.05

Reel Dimensions



Dimensions in mm

Recommended Condition For Long Term Store

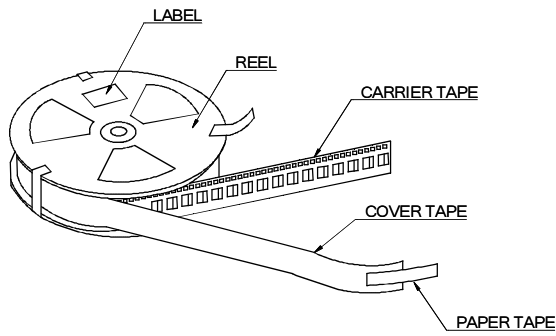
When it stores for a long term, please avoid place of high temperature and high humidity.

Recommend that it uses after the delivery within 1 year.

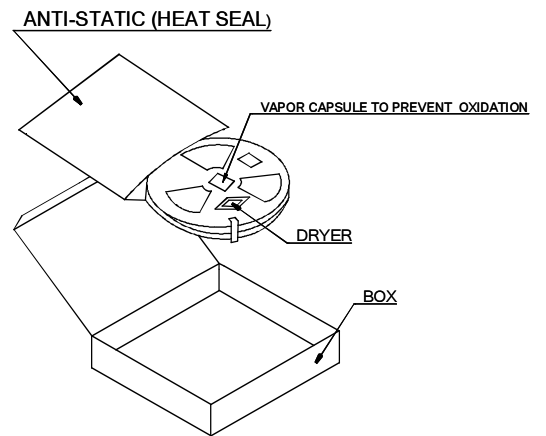
- Temperature range: +5 to +30°C.
- Humidity: 60(%)RH max..
- All dimensions meet EIA-481-C requirement.

Package Specification

400 pieces / reel



1 reel / BOX



2 BOX / CARTON
800 pieces / CARTON

